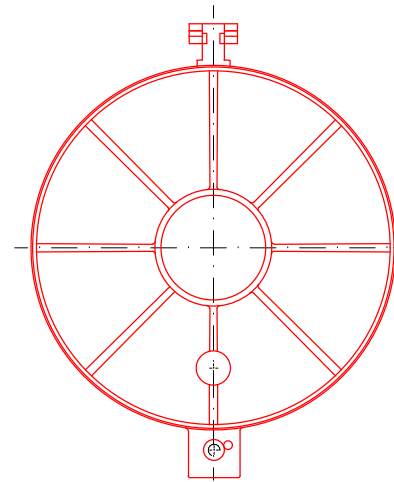
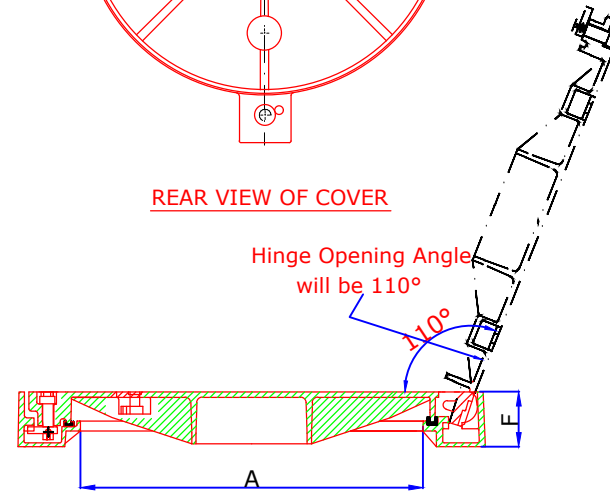


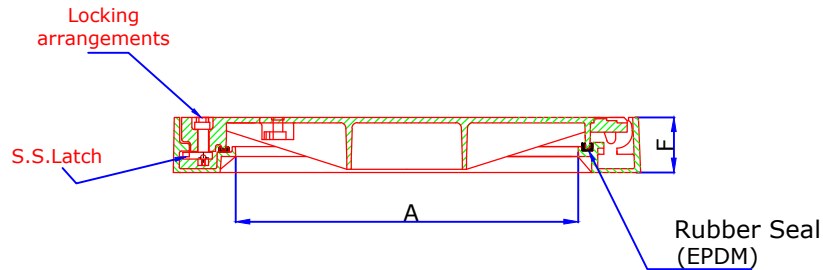
PLAN VIEW OF COVER & FRAME



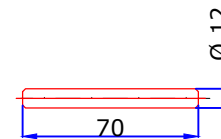
REAR VIEW OF COVER



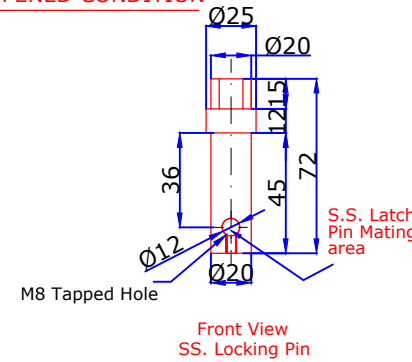
COVER AT OPENED CONDITION



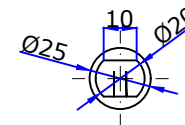
SECTION-AA'



S.S. Latch Pin
Grade- 316L



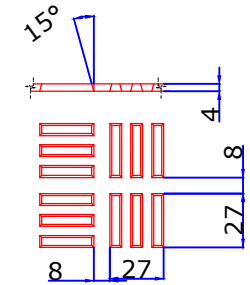
Front View
SS. Locking Pin



Plan View of SS. Locking Pin

Note:

1. ALL DIMENSIONS ARE IN MM
2. ALL DRAFT ANGLES WILL BE 2° MAX.



RAISED PATTERN DETAILS
RAISED PATTERN THICKNESS 4.0MM

SHEET No. - 1 OF 1

REVISION	DESCRIPTION	DATE
PROJECT TITLE		

DETAILED PRODUCT
DRAWING

DRAWING TITLE

600MM DIA CLEAR OPENING DUCTILE IRON
LOADING CLASS E 400kN CIRCULAR
SOLID TOP COVER & FRAME WITH
REMOVABLE TYPE HINGE ARRANGEMENTS



DATE: JULY-2019	DESIGNED: PC	DRAWN: MKC	CHECKED: AAB
--------------------	-----------------	---------------	-----------------

Code:- DA-3SEW	REVISION: 0	SCALE: NTS
----------------	----------------	---------------

- Note :-Anti -Slip Design .
 :- Cover seating surface area will machine if required .
 :- Black Bituminous Paint.

PRODUCT CODE	CLEAR OPENING A (mm)	OVER BASE CXDXE (mm)	DEPTH F (mm)	LOADING kN	STANDARD
DA-3SEW	Ø 600	725X725X850	100	E 400kN	AS 3996-2019