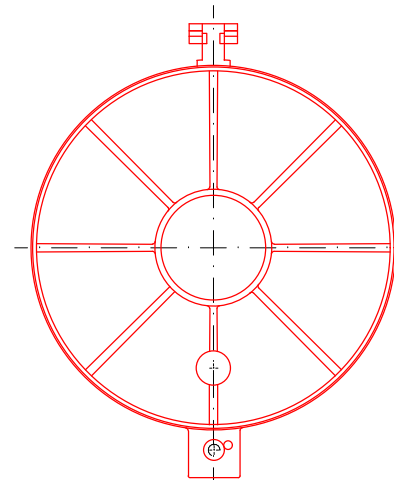
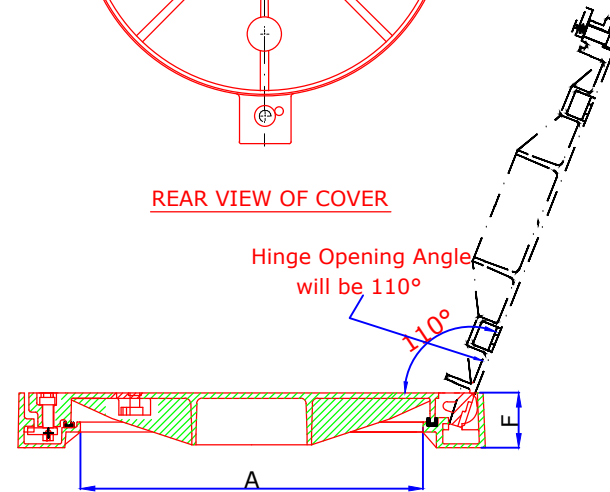


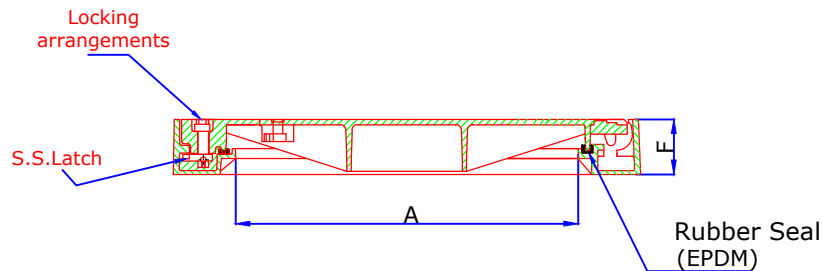
PLAN VIEW OF COVER & FRAME



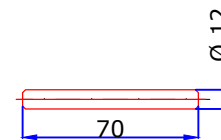
REAR VIEW OF COVER



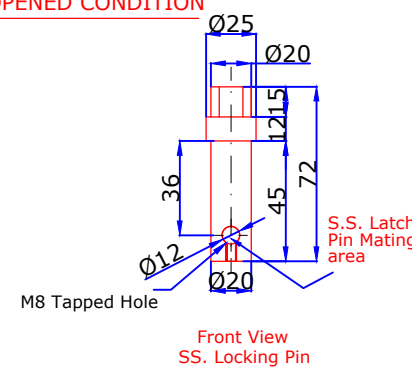
COVER AT OPENED CONDITION



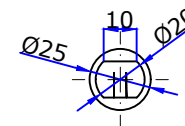
SECTION-AA'



S.S. Latch Pin Grade- 316L



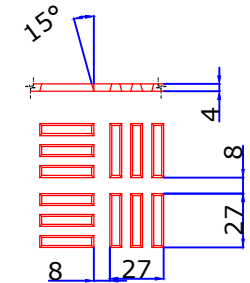
Front View SS. Locking Pin



Plan View of SS. Locking Pin

Note:

1. ALL DIMENSIONS ARE IN MM
2. ALL DRAFT ANGLES WILL BE 2° MAX.



RAISED PATTERN DETAILS  
RAISED PATTERN THICKNESS 4.0MM

SHEET No. - 1 OF 1

REVISION	DESCRIPTION	DATE
PROJECT TITLE		

DETAILED PRODUCT DRAWING

DRAWING TITLE  
600MM DIA CLEAR OPENING DUCTILE IRON  
LOADING CLASS E 400kN CIRCULAR  
SOLID TOP COVER & FRAME WITH  
REMOVABLE TYPE HINGE ARRANGEMENTS

- Note :-Anti -Slip Design .  
:- Cover seating surface area will machine if required .  
:- Black Bituminous Paint.

PRODUCT CODE	CLEAR OPENING A (mm)	OVER BASE CXDXE (mm)	DEPTH F (mm)	LOADING kN	STANDARD
DA-3SW	Ø 600	725X725X850	100	E 400kN	AS 3996-2019



DATE: JULY-2019	DESIGNED: PC	DRAWN: MKC	CHECKED: AAB
-----------------	--------------	------------	--------------

Code:- DA-3SW	REVISION: 0	SCALE: NTS
---------------	-------------	------------